

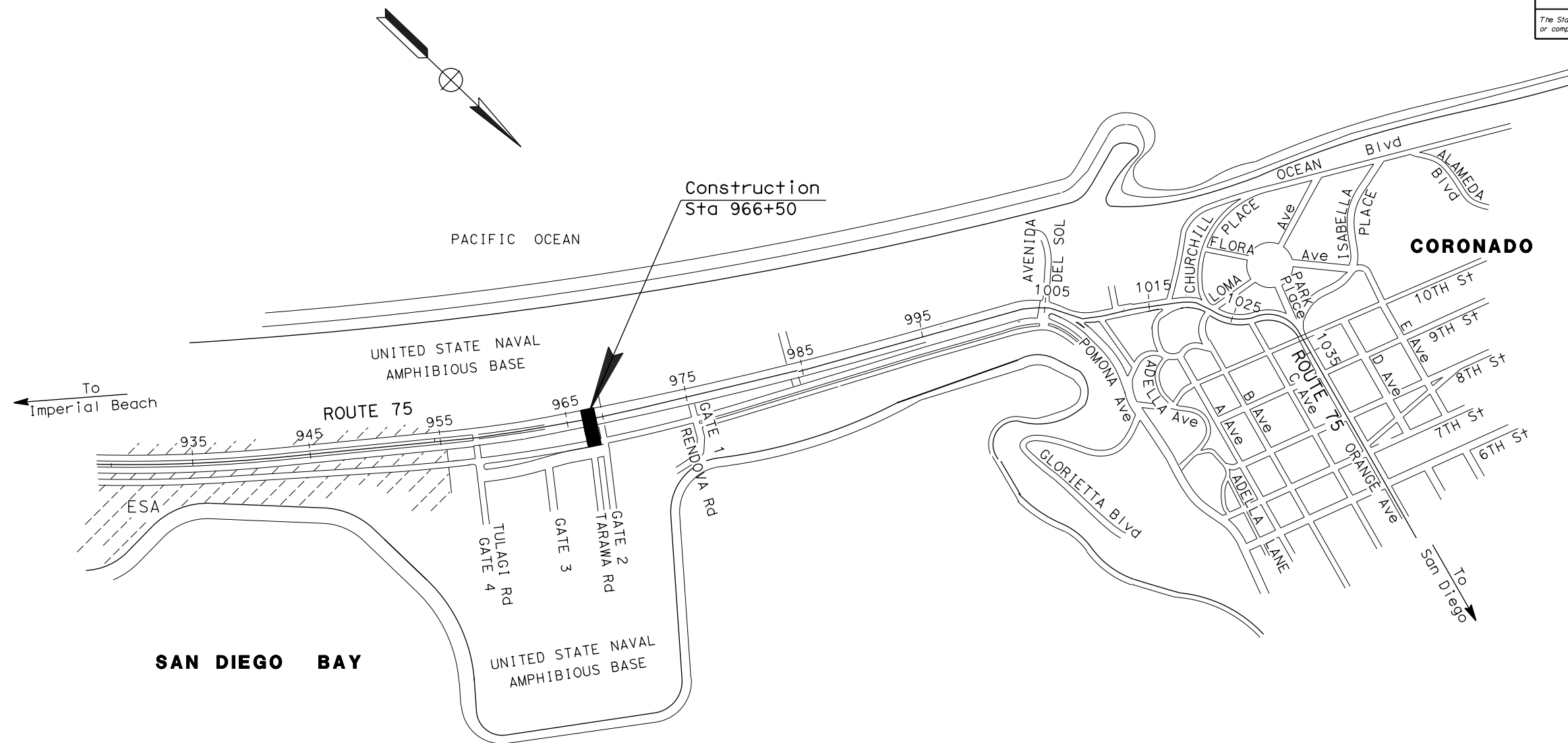
PROJECT PLANS FOR CONSTRUCTION ON CORONADO NAB PEDESTRIAN TUNNEL

IN SAN DIEGO COUNTY IN CORONADO
BY THE NAVAL AMPHIBIOUS BASE (GATE 2)
BY TARAWA RD

DIST	COUNTY	ROUTE	POST MILE
11	SD	75	17.6

LOCATION MAP

The State of California or its officers or agents shall not be responsible for the accuracy or completeness of electronic copies of this plan sheet.



PROJECT MANAGER
Carlos Lopez

DATE
02/25/20

The Contractor shall possess the Class (or Classes) of license as specified in the "Notice to Contractors".

NO SCALE

PLANS PREPARED BY:

PRESTIGE
INTERNATIONAL

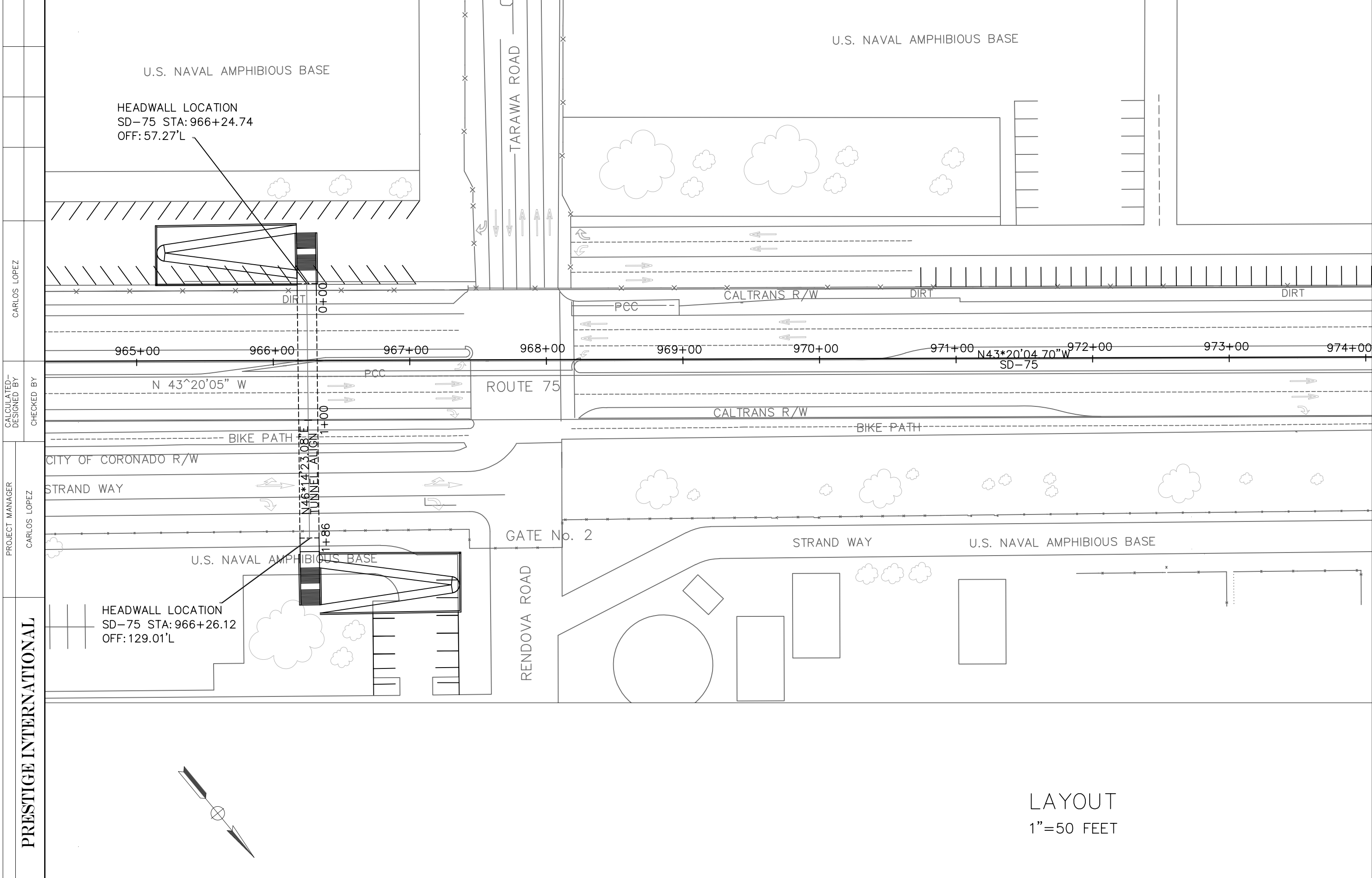
5500 Campanile Dr.
San Diego, CA 92182
(619) 634-5310

Contract No. 11000050620

LAST REVISION
02/25/20

PRODUCED BY AN AUTODESK STUDENT VERSION

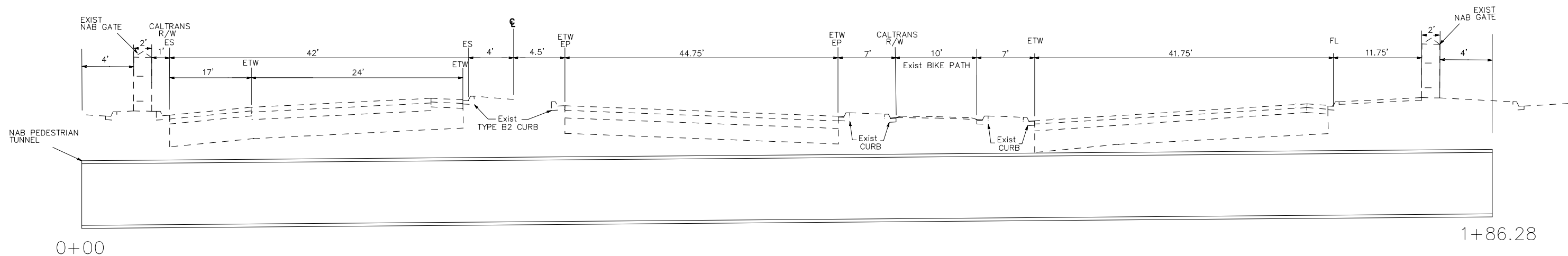
PRODUCED BY AN AUTODESK STUDENT VERSION



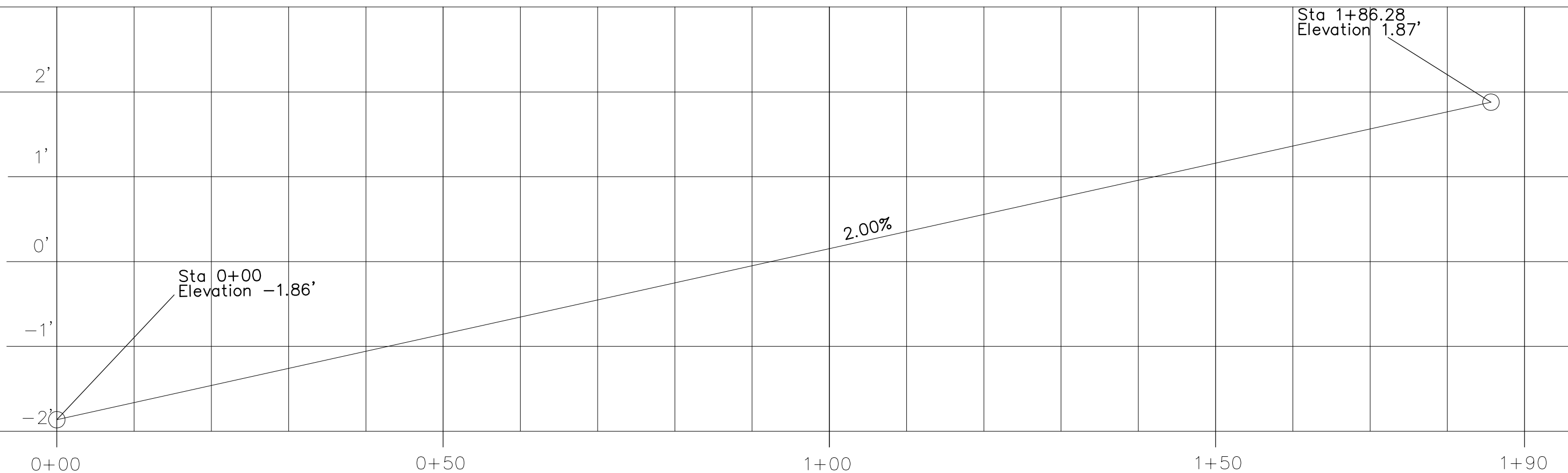
PROJECT MANAGER	CARLOS LOPEZ
CALCULATED-DESIGNED BY	CHECKED BY
CARLOS LOPEZ	
PRESTIGE INTERNATIONAL	

LAYOUT
1"=50 FEET

Dist	COUNTY	ROUTE	POST MILES TOTAL PROJECT	SHEET No.	TOTAL SHEETS
11	SD	75	17.6	3	XX



TUNNEL CROSS SECTION
NO SCALE



Horizontal Scale: 3.75"=50'
Vertical Scale: 1"=1.25'

TUNNEL PROFILE

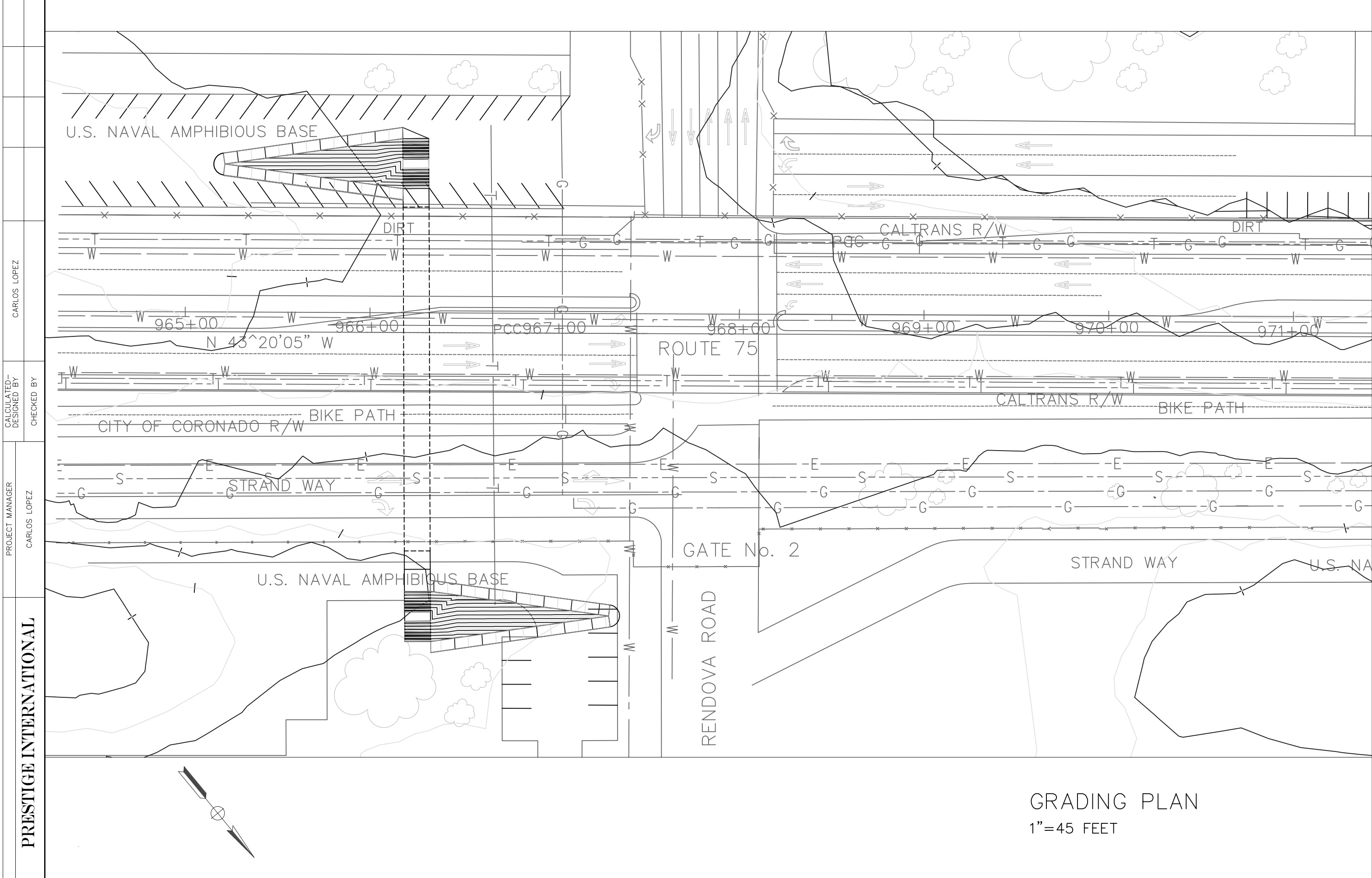
PRODUCED BY AN AUTODESK STUDENT VERSION

PRODUCED BY AN AUTODESK STUDENT VERSION

CALCULATED BY	CHECKED BY
DESIGNED BY	
PROJECT MANAGER	CARLOS LOPEZ
PRESTIGE INTERNATIONAL	

PRODUCED BY AN AUTODESK STUDENT VERSION

PRODUCED BY AN AUTODESK STUDENT VERSION



PROJECT MANAGER CARLOS LOPEZ	CALCULATED- DESIGNED BY	CHECKED BY
	CARLOS LOPEZ	
PRESTIGE INTERNATIONAL		

GRADING PLAN
1"=45 FEET

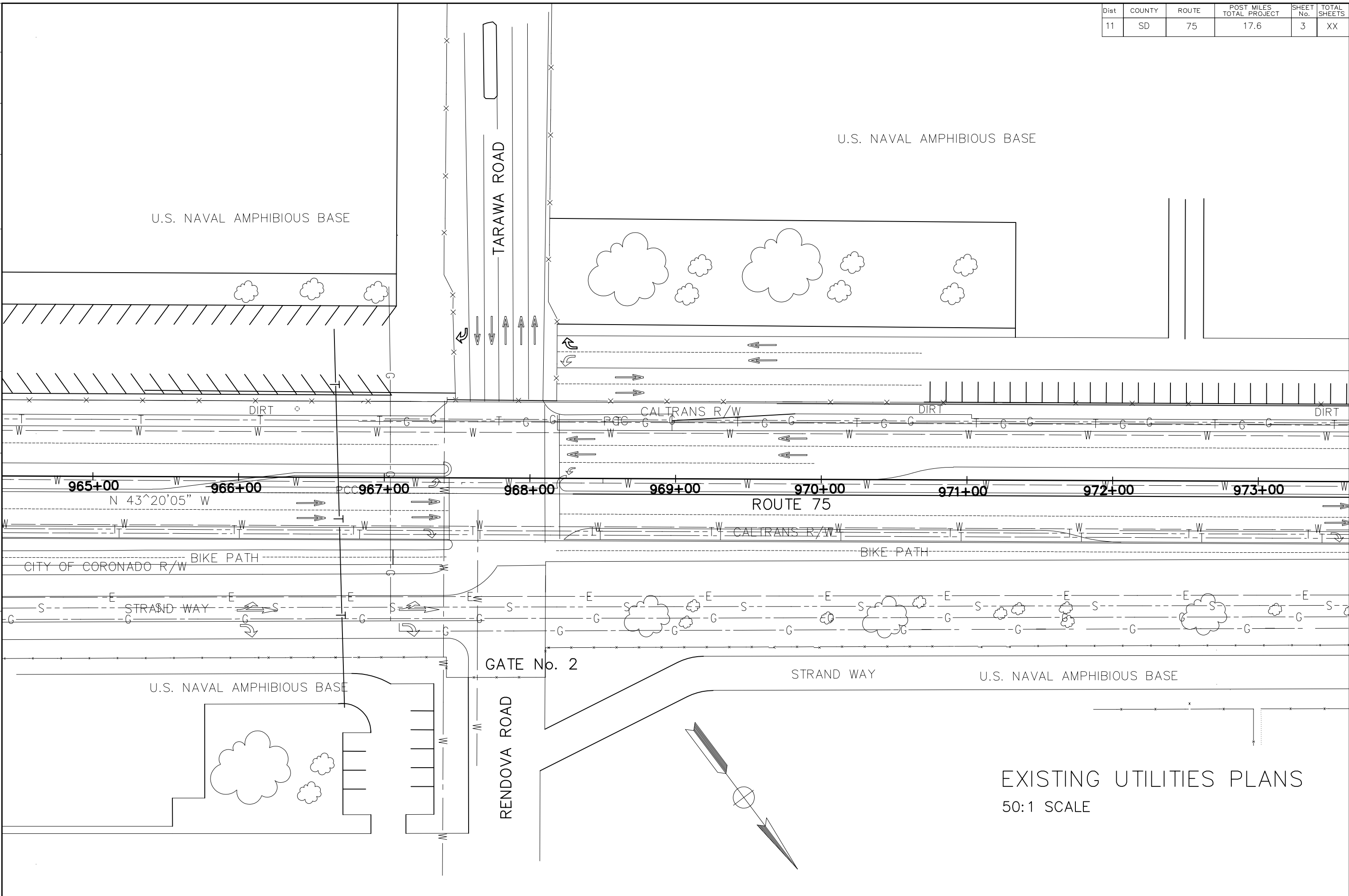
EROSION CONTROL PLAN

Dist	COUNTY	ROUTE	POST MILES TOTAL PROJECT	SHEET No.	TOTAL SHEETS
11	SD	75	17.6	3	XX

PRODUCED BY AN AUTODESK STUDENT VERSION

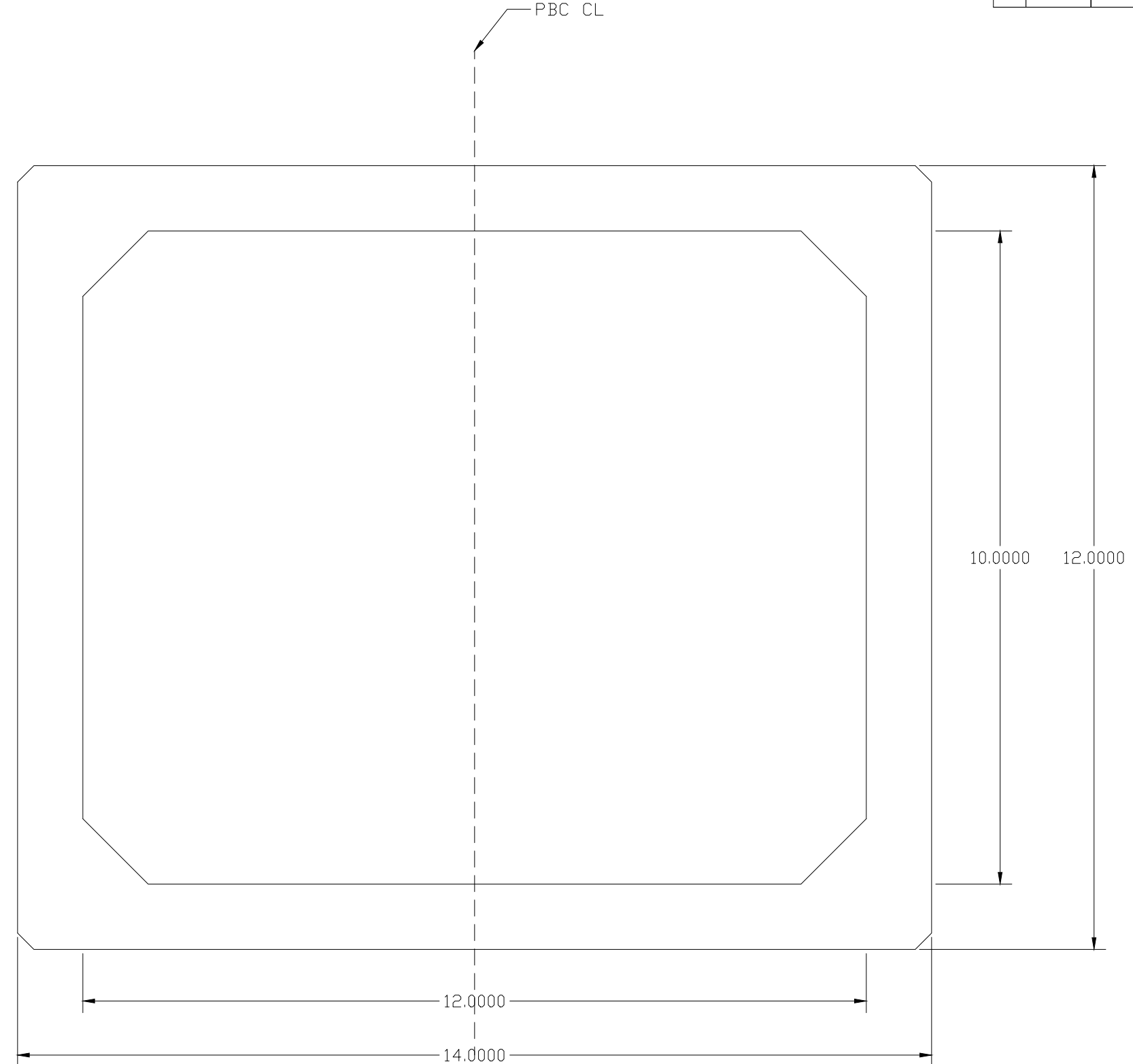
PRODUCED BY AN AUTODESK STUDENT VERSION

PROJECT MANAGER CARLOS LOPEZ	CHECKED BY	CALCULATED-DESIGNED BY	CARLOS LOPEZ



EXISTING UTILITIES PLANS
50:1 SCALE

Dist	COUNTY	ROUTE	POST MILES TOTAL PROJECT	SHEET No.	TOTAL SHEETS
11	SD	75	17.6	1	7



Culvert Material Characteristics

f'c: 5,000 psi
fy: 65,000 psi

LL & DL from traffic and asphalt taken into account in calculations to follow

per Caltrans Standard Plans 2018

Concrete: 1.85 cy/lf
Reinforcement: 223 lb/lf

*external sealing bandwidth: 13"

PRECAST CULVERT SECTION
6" = 1'-0"

PRODUCED BY AN AUTODESK STUDENT VERSION

PRODUCED BY AN AUTODESK STUDENT VERSION

PROJECT MANAGER	CALCULATED-DESIGNED BY
CARLOS LOPEZ	ROBERT VILLOTA
	CHECKED BY
	CARLOS LOPEZ

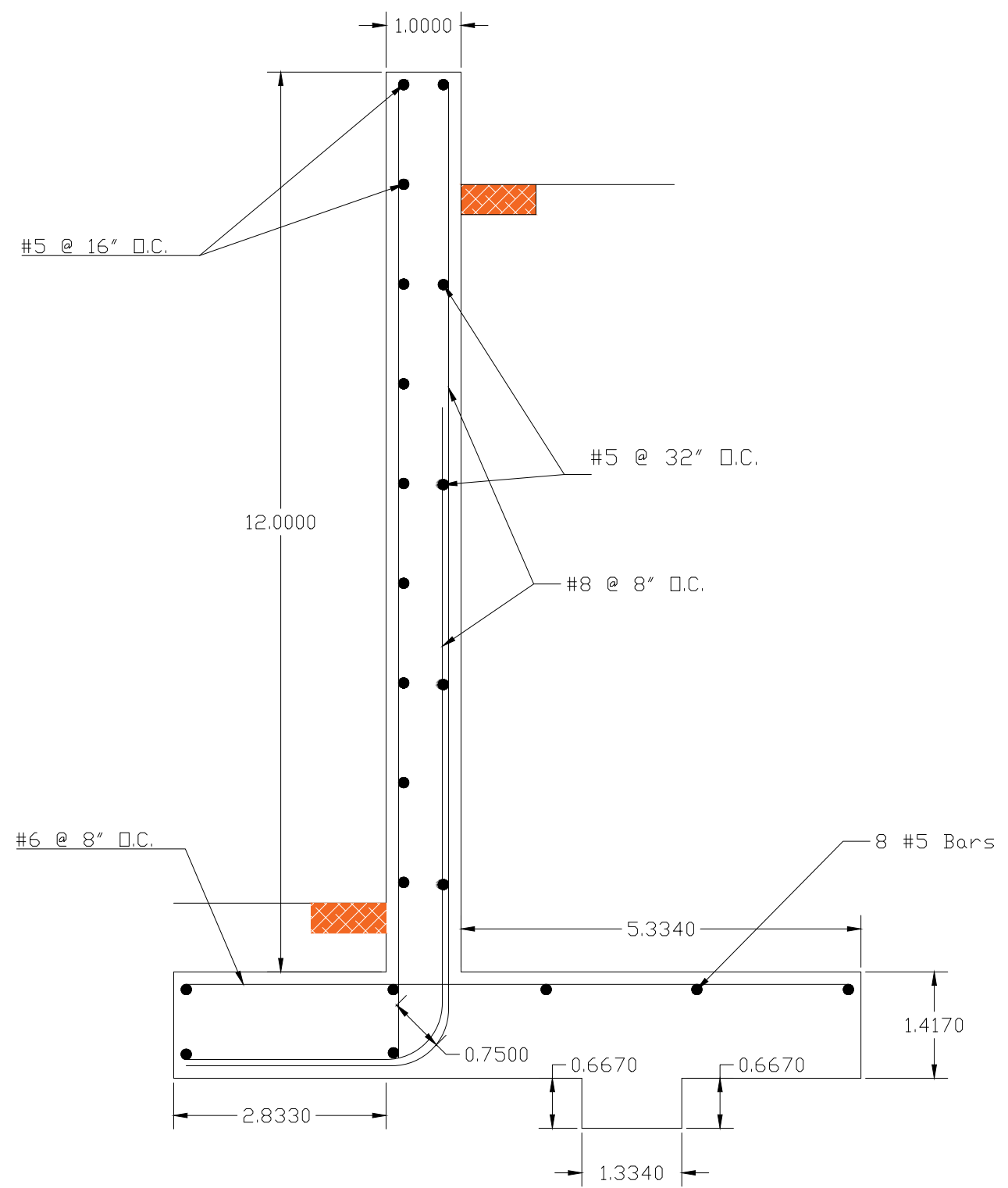
PRESTIGE INTERNATIONAL

Dist	COUNTY	ROUTE	POST MILES TOTAL PROJECT	SHEET No.	TOTAL SHEETS
11	SD	75	17.6	2	7

PRODUCED BY AN AUTODESK STUDENT VERSION

PROJECT MANAGER CARLOS LOPEZ	CALCULATED- DESIGNED BY	ROBERT VILLOTA
	CHECKED BY	CARLOS LOPEZ

Retaining Wall Characteristics
 f'c: 3,600 psi
 fy: 60,000 psi
 per Caltrans Standard Plans 2018
 Concrete: 1.00 cy/lf
 Reinforcement: 102 lb/lf



RETAINING WALL
 TYPICAL SECTION
 6" = 1'-0"