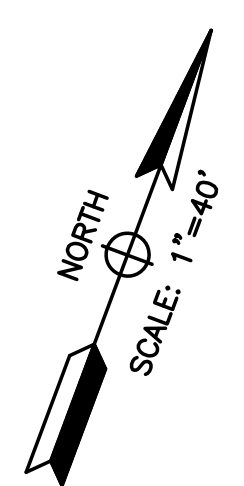


LEGEND

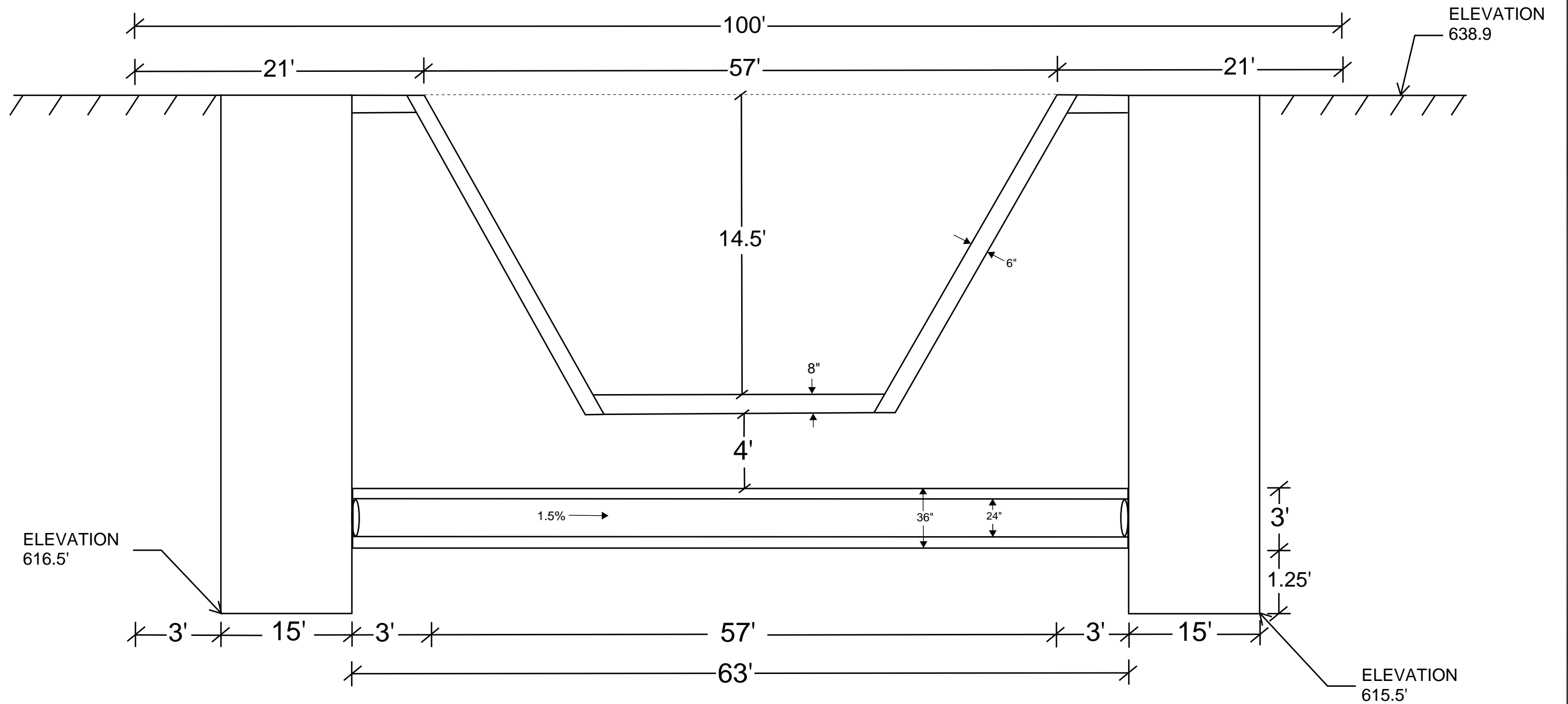
ITEM	SYMBOL
EXISTING STRIPING	— — — — —
EXISTING ROADSIDE SIGN	— T —
EXISTING CHANNEL	- - - - -
EXISTING FENCE	* * * * *

DONOVAN & ASSOCIATES
 5500 Campanile Drive
 San Diego, CA 92182
 (619) 594-5200

03/10/2020	EX-UTILITIES.DWG	Checked By: HD
Designed By: AB & TN	Drawn By: BT	



CONSTRUCTION RECORD	REFERENCES	Date	By	REVISIONS	App'd	Date	BENCH MARK	SCALE	Office	Designed By	Drawn By	Checked By	Submitted	Approved	ENGINEERING SERVICES	Drawing No.
Contractor								Horizontal		AB & TN	BT	HD			EXISTING UTILITIES	2
Inspector								Vertical		Plans Prepared Under Supervision Of			By	By		Sheet 1 of 1
Date Completed								Traffic					Assistant City Engineer	Director of Engineering Services/ City Engineer		



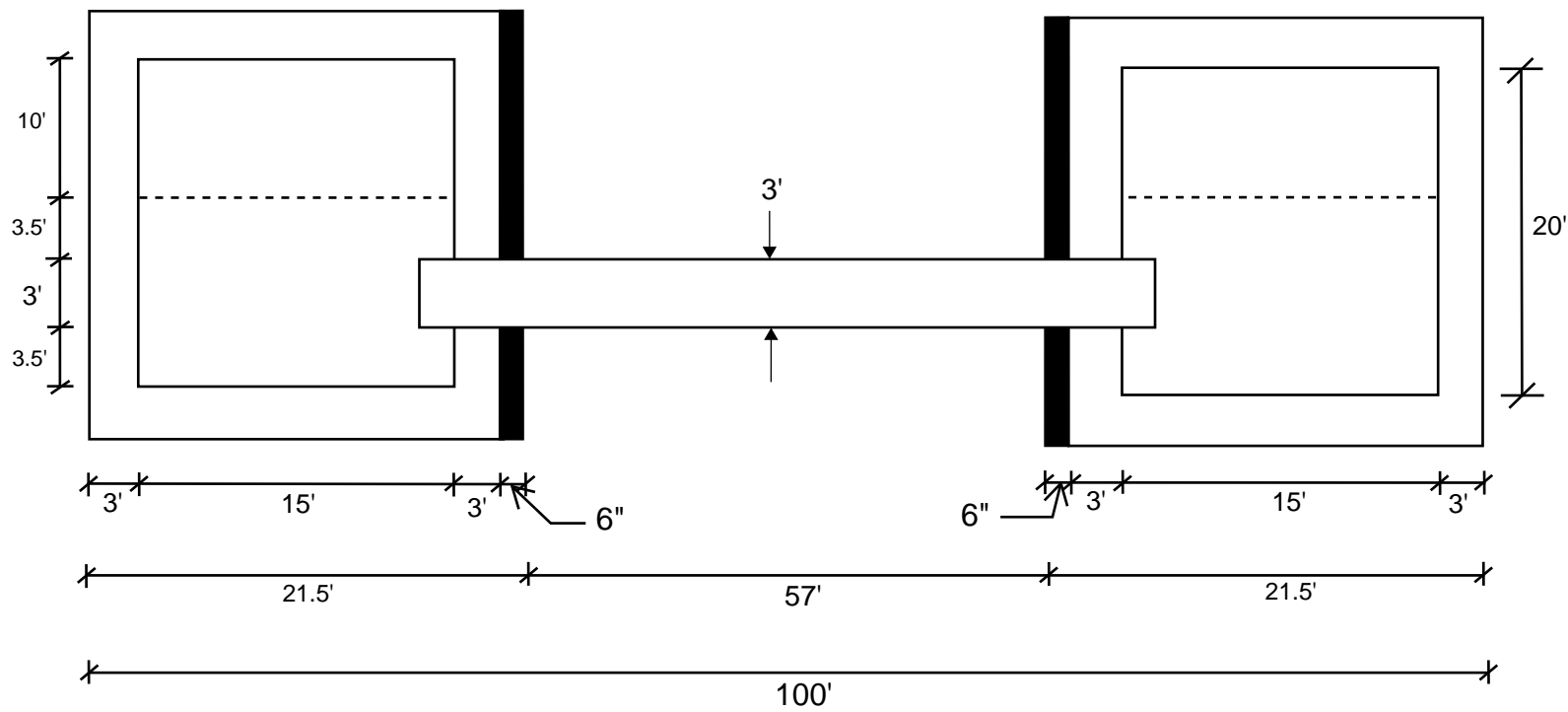
PROFILE VIEW
NOT TO SCALE

 DONOVAN & ASSOCIATES 5500 Campanile Drive San Diego, CA 92182 (619)594-5200	BDR.DWG	Checked By: HD
	Designed By: AB & TN	Drawn By: BT

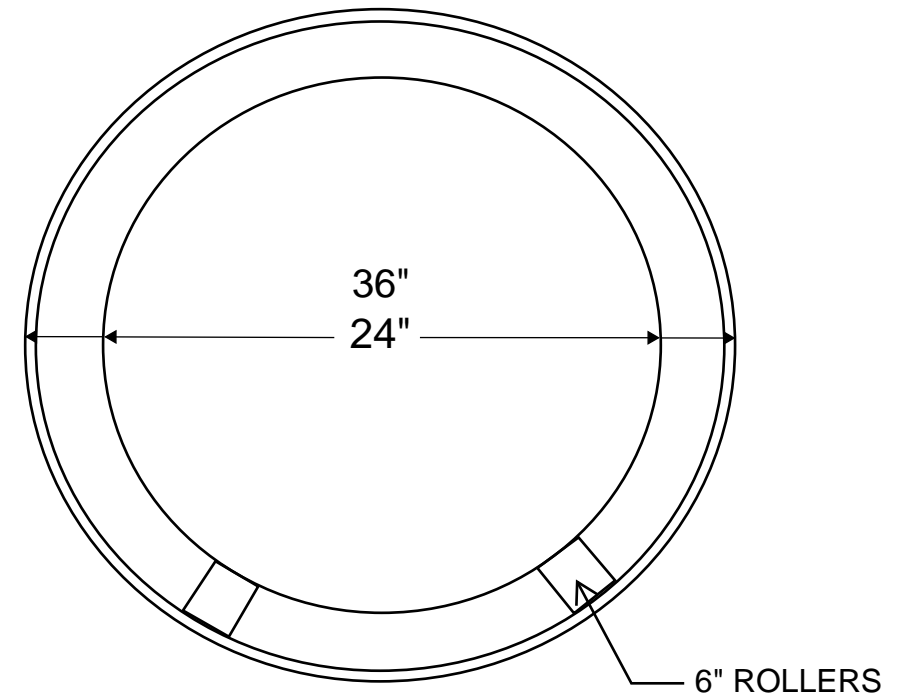


CITY PROJECT NO.
2-20-001

CONSTRUCTION RECORD		REFERENCES		Date	By	REVISIONS		App'd	Date	BENCH MARK		SCALE	Office	Designed By	Drawn By	Checked By	Submitted	Approved	ENGINEERING SERVICES	Drawing No.	
Contractor												Horizontal		Plans Prepared Under Supervision Of			By Assistant City Engineer	By Director of Engineering Services/City Engineer	CONCEPT PLAN PEDESTRIAN BRIDGE	1	
Inspector												Vertical		Date							
Date Completed												Traffic		R.C.E. No.							Sheet 1 of 1



BORE PIT DETAIL
NOT TO SCALE



PIPE DETAIL
NOT TO SCALE

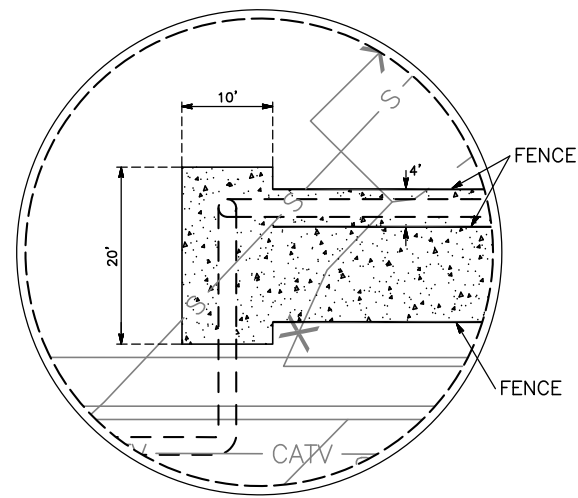
DONOVAN & ASSOCIATES
5500 Campanile Drive
San Diego, CA 92182
(619)594-5200

BDR.DWG
Designed By: AB & TN Drawn By: BT Checked By: HD

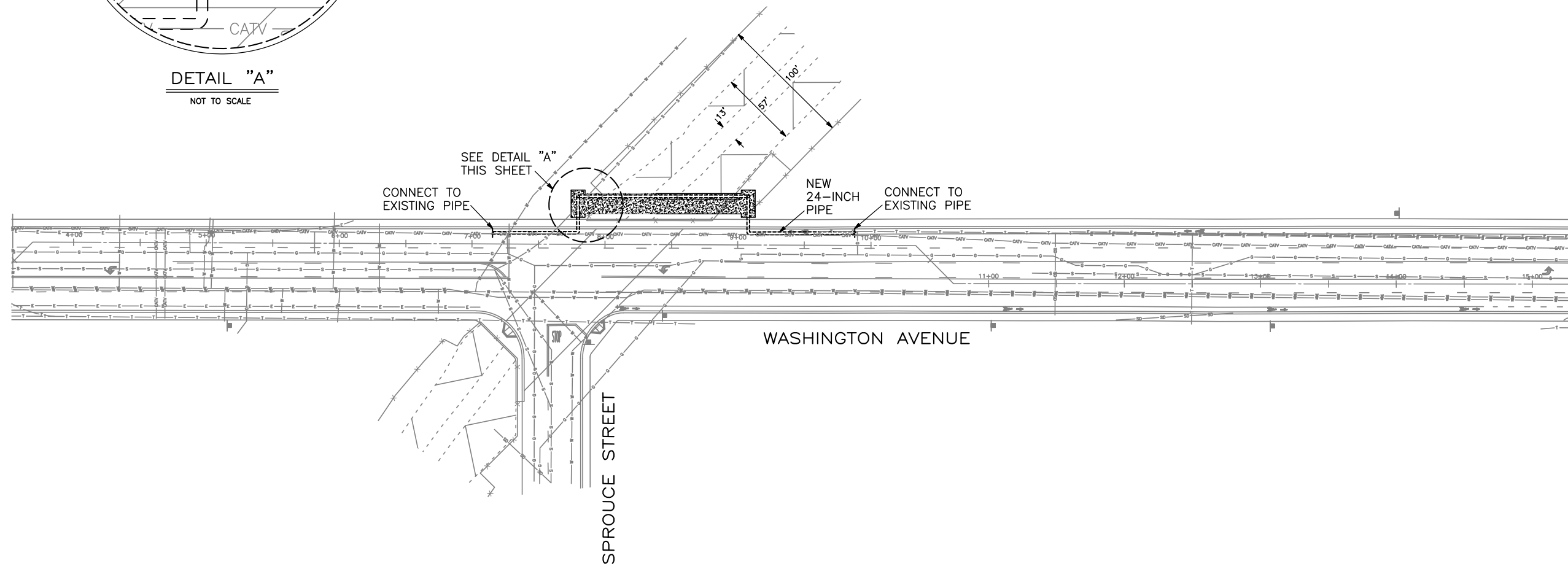


CITY PROJECT NO.
2-20-001

CONSTRUCTION RECORD		REFERENCES		Date	By	REVISIONS		App'd	Date	BENCH MARK		SCALE	Office	Designed By	Drawn By	Checked By	Submitted	Approved	ENGINEERING SERVICES		Drawing No.
Contractor												Horizontal		Plans Prepared Under Supervision Of			By Assistant City Engineer		By Director of Engineering Services/ City Engineer		1
Inspector												Vertical		Date							Sheet 1 of 1
Date Completed												Traffic		R.C.E. No.							



DETAIL "A"
NOT TO SCALE

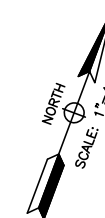


LEGEND

ITEM	SYMBOL
EXISTING STRIPING	— — — — —
EXISTING ROADSIDE SIGN	■
EXISTING CHANNEL	— — — — —
EXISTING FENCE	× × × × ×
PROPOSED PIPELINE	— — — — —
PROPOSED FENCE	— — — — —
PROPOSED CONCRETE DECK	■

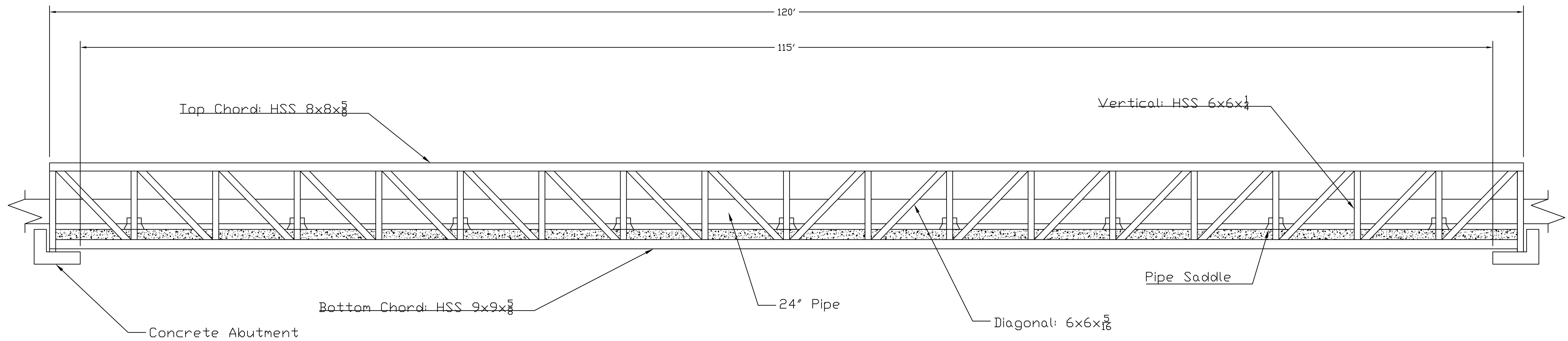
DONOVAN & ASSOCIATES
5500 Campanile Drive
San Diego, CA 92182
(619) 594-5200

03/10/2020	PED_BRIDGE_50%.DWG	Checked By: HD
Designed By: AB & TN	Drawn By: BT	Checked By: HD



CITY PROJECT NO.

CONSTRUCTION RECORD		REFERENCES		Date	By	REVISIONS		App'd	Date	BENCH MARK		SCALE	Office	Designed By	Drawn By	Checked By	Submitted	Approved	ENGINEERING SERVICES		Drawing No.	
Contractor												Horizontal		AB & TN	BT	HD				PEDESTRIAN BRIDGE		1
Inspector												Vertical		Plans Prepared Under Supervision Of						PLAN VIEW		Sheet 1 of 1
Date Completed												Traffic					By Assistant City Engineer	By Director of Engineering Services/ City Engineer				

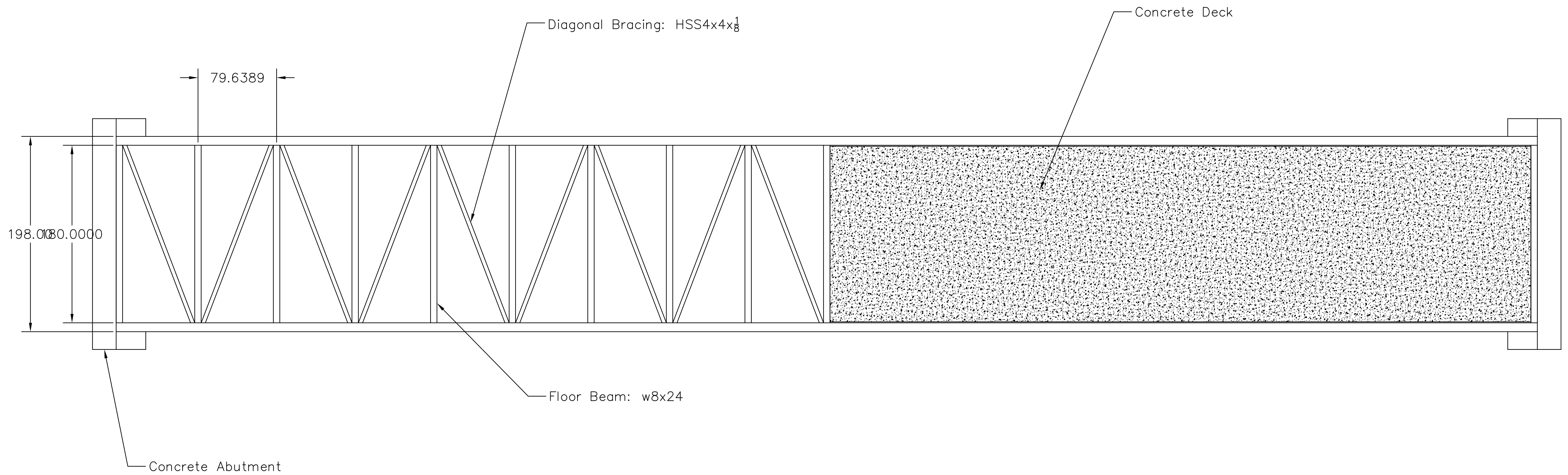


	DONOVAN & ASSOCIATES 5500 Campanile Drive San Diego, CA 92182 (619) 594-5200	
	03/10/2020 Designed By: AB & TN	BRIDGE ELEVATION.DWG Drawn By: BT



CITY PROJECT NO.

CONSTRUCTION RECORD		REFERENCES		Date	By	REVISIONS		App'd	Date	BENCH MARK		SCALE		Office _____	Designed By _____	Drawn By _____	Checked By _____	Submitted _____	Approved _____	ENGINEERING SERVICES		Drawing No.
Contractor _____												Horizontal		_____	AB & TN	BT	HD			Bridge Elevation		1
Inspector _____												Vertical		_____	Plans Prepared Under Supervision Of _____		Date _____	By _____	By _____			Sheet 1 of 1
Date Completed _____														_____	_____		_____	Assistant City Engineer	Director of Engineering Services/ City Engineer			

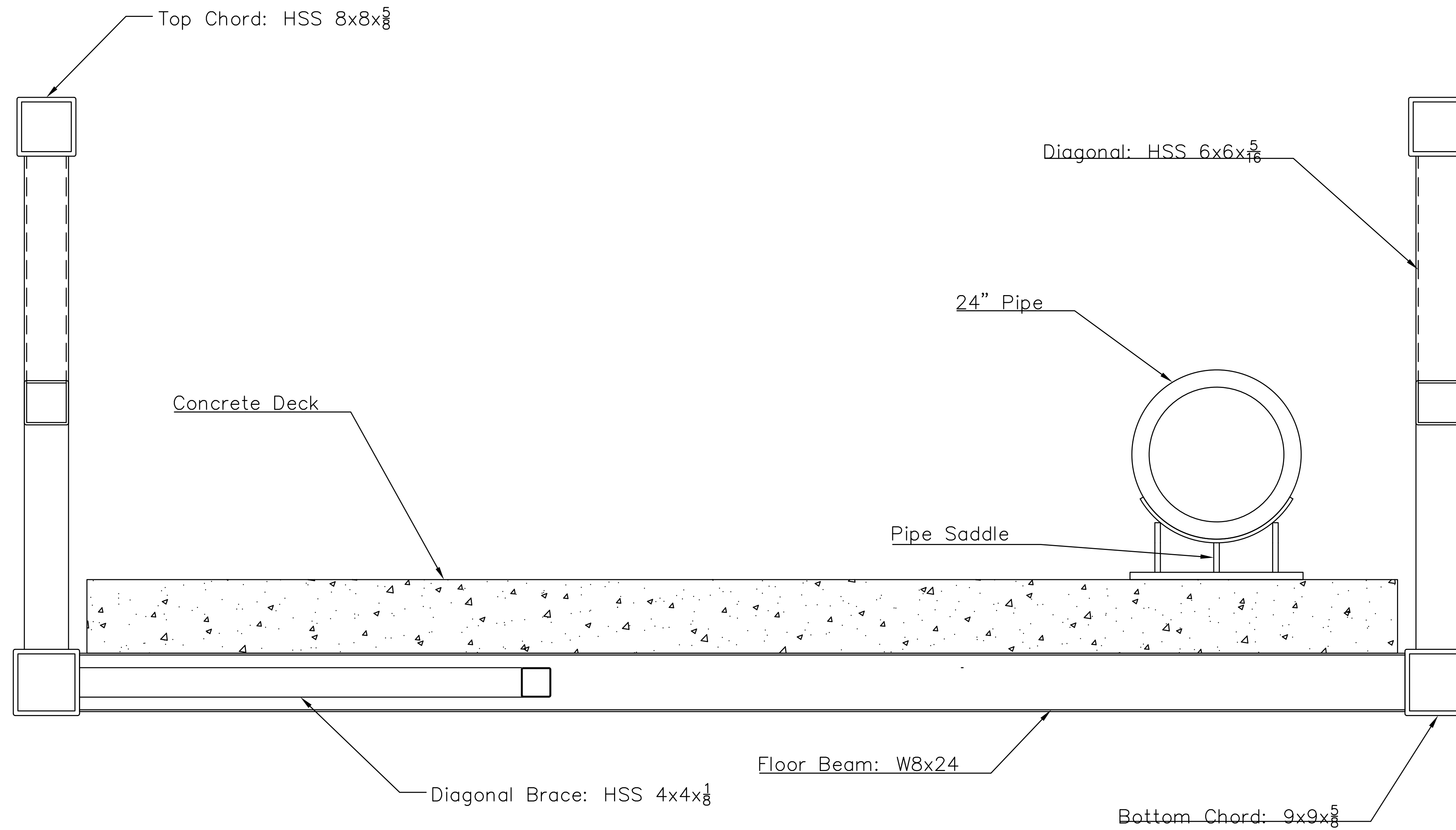


	DONOVAN & ASSOCIATES 5500 Campanile Drive San Diego, CA 92182 (619) 594-5200	
	03/10/2020 Designed By: AB & TN	BRIDGE PLAN.DWG Drawn By: BT



CITY PROJECT NO.

CONSTRUCTION RECORD		REFERENCES		Date	By	REVISIONS		App'd	Date	BENCH MARK	SCALE	Office	Designed By	Drawn By	Checked By	Submitted	Approved	ENGINEERING SERVICES		Drawing No.
Contractor											Horizontal		AB & TN	BT	HD			Bridge Plan		1
Inspector											Vertical		Plans Prepared Under Supervision Of		Date	By	By			Sheet 1 of 1
Date Completed											Traffic				R.C.E. No.	Assistant City Engineer	Director of Engineering Services/ City Engineer			



	DONOVAN & ASSOCIATES 5500 Campanile Drive San Diego, CA 92182 (619) 594-5200	
	03/10/2020 Designed By: AB & TN	BRIDGE SECTION.DWG Drawn By: BT



CITY PROJECT NO.

CONSTRUCTION RECORD		REFERENCES		Date	By	REVISIONS		App'd	Date	BENCH MARK		SCALE		Office	Designed By	Drawn By	Checked By	Submitted	Approved	ENGINEERING SERVICES		Drawing No.
Contractor												Horizontal			AB & TN	BT	HD			Bridge Cross Section		1
Inspector												Vertical			Plans Prepared Under Supervision Of		Date	By	By			Sheet 1 of 1
Date Completed												Traffic					R.C.E. No.	Assistant City Engineer	Director of Engineering Services/ City Engineer			

